

INSTRUCTIONS

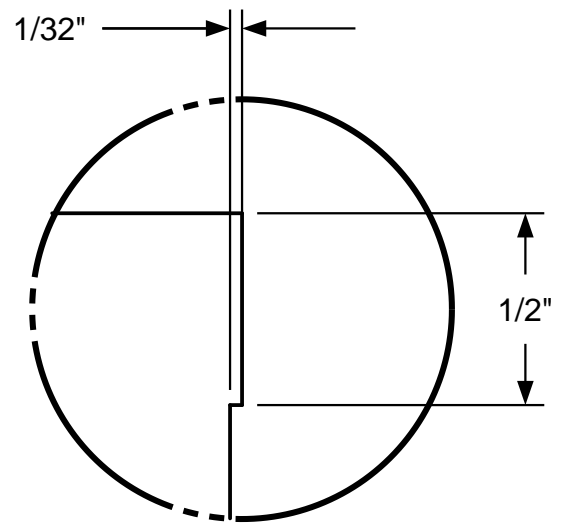
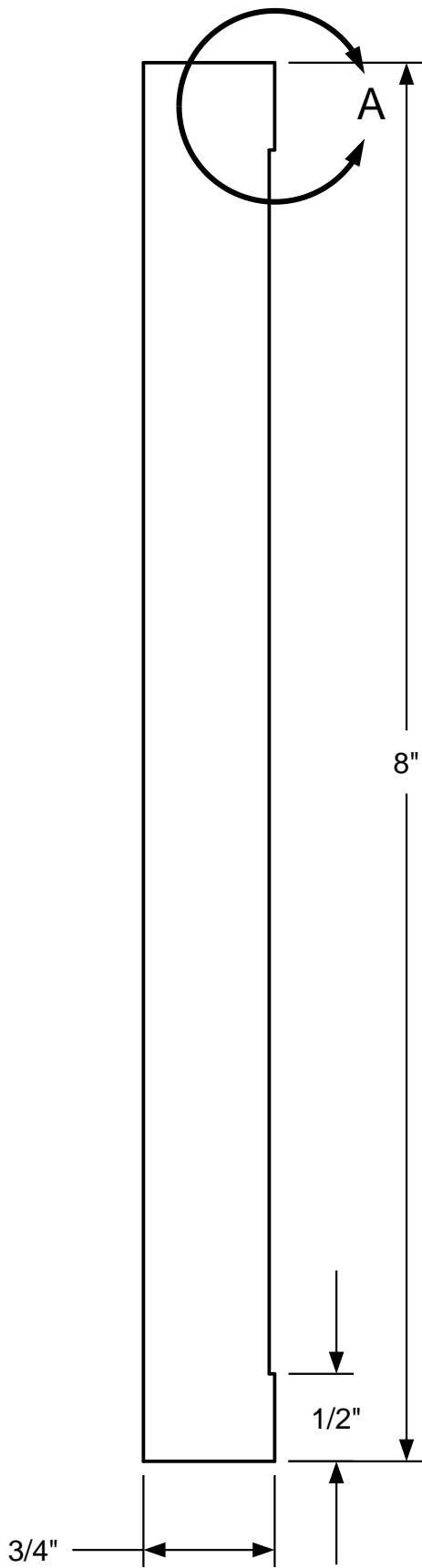
CUT A PIECE OF LEADING THE LENGTH YOU NEED FOR YOUR WINDOW, REMOVE THE PAPER BACKING AND LIGHTLY STICK IT TO A WINDOW GLASS WORKING "BOARD"

PLACE THE INSIDE EDGE OF THE NOTCHED SECTION OF THE GUAGE AGAINST THE EDGE OF THE LEADING.

PLACE THE STEEL RULER AGAINST THE SMALL PROTRUSIONS ON THE GUAGE, THIS SETS UP A 1/32" WIDTH STRIP FOR CUTTING

REMOVE THE GUAGE AND USE A VERY SHARP EXACTO KNIFE BLADE AGAINST THE EDGE OF THE STEEL RULE TO CUT THE STRIP

PICK UP THE NEWLY CUT LEAD STRIP USING THE TIP OF THE KNIFE AND APPLY TO YOUR DOLLHOUSE WINDOW



Detail A

The strip cutting guage may be made from plastic, plexiglass, lexan, wood, metal or even heavy card stock. If making from card stock plan on replacing often due to wear and tear affecting its accuracy.